

KIOWA



HAI RANGE



 **ALFAGOMMA GROUP**

Your ideal partner for hose reels

HR1100HAI



WHY KIWOWA HOSE REELS

- SAVE TIME
- SAVE MONEY
- INCREASED SAFETY
- HOSE DURABILITY
- EFFICIENCY IN DAILY WORK
- 100% MADE IN ITALY

APPLICATIONS



HOW TO USE



KIOWA



HR1100HAI

TECHNICAL FEATURES

HR1100HAI

AISI 304

Admitted diameters Diametri ammessi	1/4"- 3/8"- 1/2"
Hose lenght in meters	Up to 65.6 ft 1/2"
Working pressure	Up to 2900 psi
Working Temperature	280°F - 140°C *
Inlet thread size	1/2" M
Outlet thread size	1/2" F
Weight	18 kg
Packing size	280x600x550 mm
Raw material sides and roll	AISI 304
Raw material shaft and swivel joint	AISI 303
Raw material main spring	Carbon Steel
Can be used to transfer	Air Water Chemical
Included Accessories	Hose bumper (1/4", 3/8" o 1/2") and nipple (3/8" o 1/2")

HR1100HAI316

AISI 316

Admitted diameters	1/4"- 3/8"- 1/2"
Hose lenght in meters	Up to 65.6 ft 1/2"
Working pressure	Up to 2900 psi
Working Temperature	280°F - 140°C *
Inlet thread size	1/2" M
Outlet thread size	1/2" F
Weight	18 kg
Packing size	280x600x550 mm
Raw material sides and roll	AISI 316
Raw material shaft and swivel joint	AISI 316
Raw material main spring	Carbon Steel
Can be used to transfer	Air Water Chemical
Included Accessories	Hose bumper (1/4", 3/8" o 1/2") and nipple (3/8" o 1/2")

HR1100HAIFE

FE

Admitted diameters	1/4"- 3/8"- 1/2"
Hose lenght in meters	Up to 65.6 ft 1/2"
Working pressure	Up to 2900 psi
Working Temperature	280°F - 140°C *
Inlet thread size	1/2" M
Outlet thread size	1/2" F
Weight	18 kg
Packing size	280x600x550 mm
Raw material sides and roll	Carbon Steel
Raw material shaft and swivel joint	Carbon Steel
Raw material main spring	Carbon Steel
Can be used to transfer	Air Water / Aria Acqua On request Oil Grease
Included Accessories	Hose bumper (1/4", 3/8" o 1/2") and nipple (3/8" o 1/2")

HR1100HAICA

CA

Admitted diameters	1/4"- 3/8"- 1/2"
Hose lenght in meters	Up to 65.6 ft 1/2"
Working pressure	Up to 2900 psi
Working Temperature	280°F - 140°C *
Inlet thread size	1/2" M
Outlet thread size	1/2" F
Weight Peso	18 kg
Packing size	280x600x550 mm
Raw material sides and roll	Carbon Steel
Raw material shaft and swivel joint	Carbon Steel Acciaio al carbonio
Raw material main spring	Carbon Steel
Can be used to transfer	Air Water On request Oil Grease
Included Accessories Accessori inclusi	Hose bumper (1/4", 3/8" o 1/2") and nipple (3/8" o 1/2")

* This product has been designed for continuous use at a water temperature of 90°C-195°F. It can resist at the max temperature of 140°C - 280°F only for a short period of time. Not suitable for use with steam. Report appropriate area «Steam».

Ramex



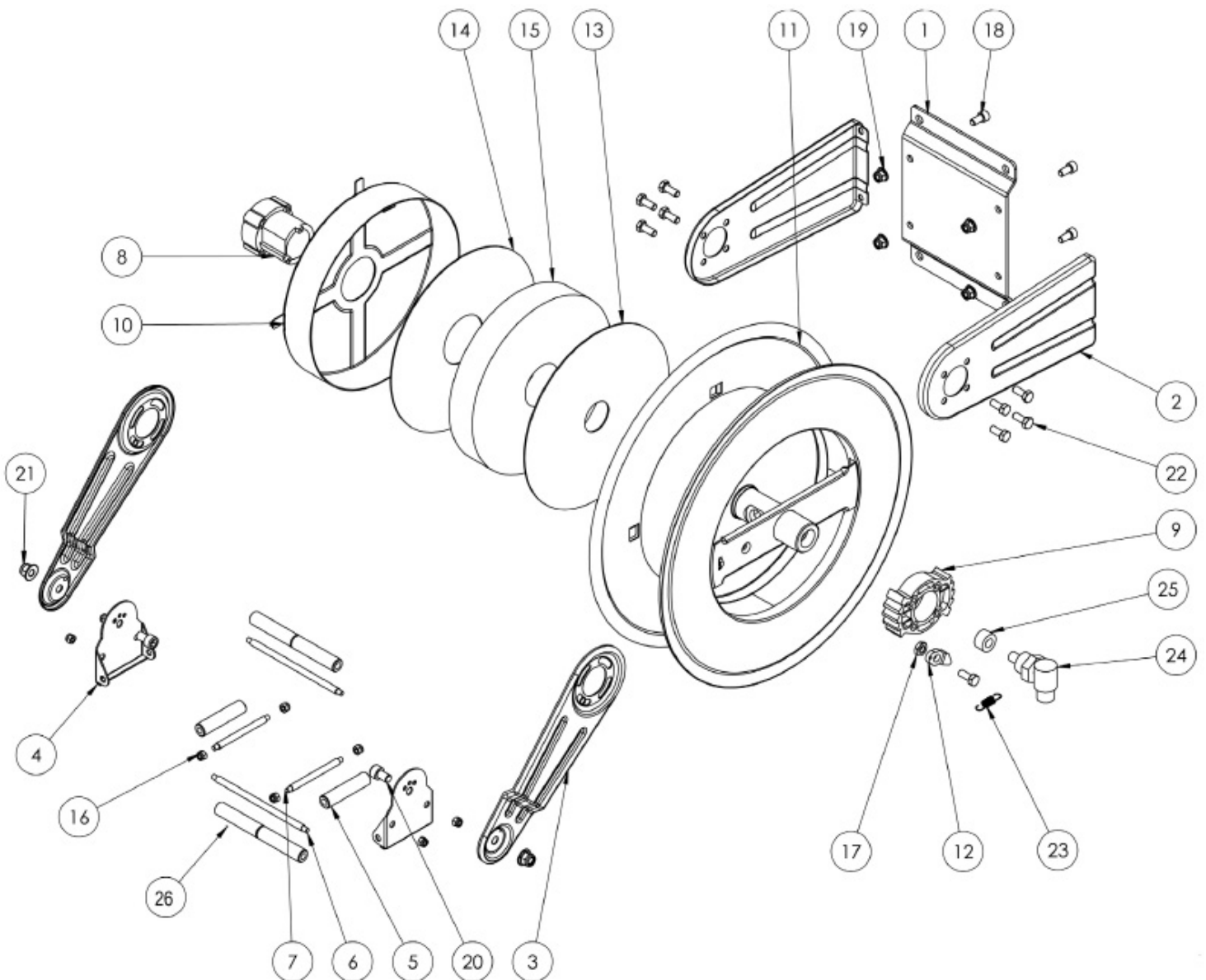
HR1100HAI

The Kiowa spring rewind “Slow Retraction Safety Series” are constructed in 304-Grade Stainless Steel. The adjustable, slow retraction feature has taken spring rewind hose reels to the next level in hose management. This range of reels has become an industry standard with health & safety.

The superior twin pedestal design along with quality component parts provide long term, trouble free service. The adjustable full width roller guides prolong the hose assemblies working life, whilst the ribbed side / guide arms give ultimate rigidity during hose payout & retrieval.

Working pressures are standard up to 3,000 psi (200 Bar) with 400 & 600 Bar options available on request.

EXPLODED VIEW





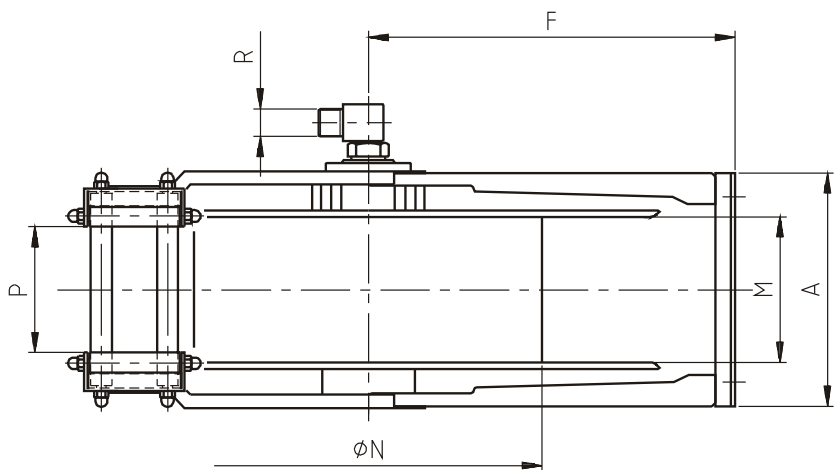
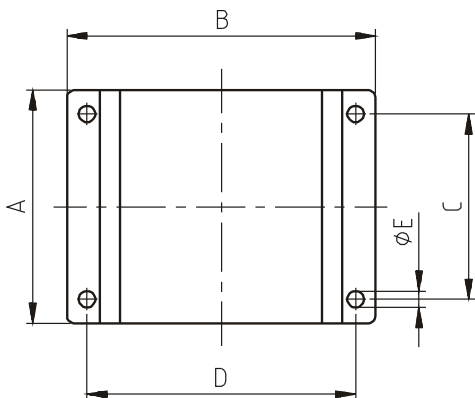
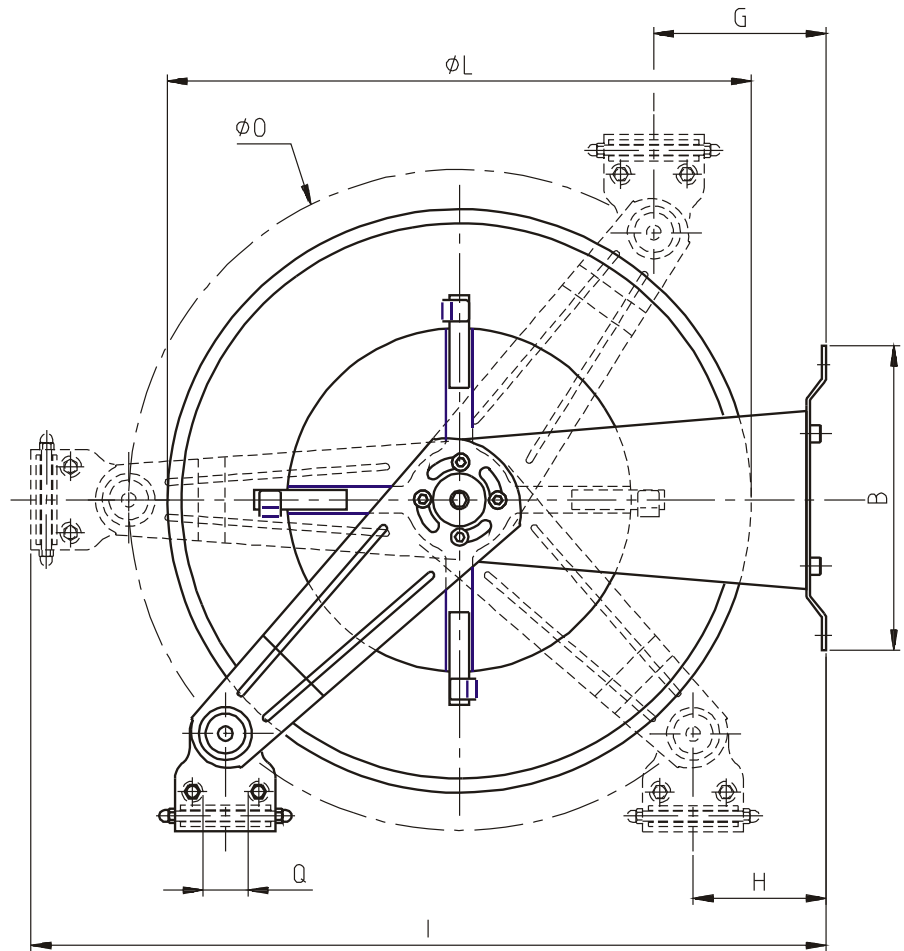
HR1100HAI

POS	Description and quantity (in the reel)	HR1100HAI		HR1100HAI316		HR1100HAIFE/CA	
1	Base (1x)						
2	Side fixed arm						
3	Mobile arm						
4	Roller guide						
5	Vertical roller						
6	Horizontal rod						
7	Vertical rod						
8	Plastic hub	KIT 92R		KIT 92R 316		KIT 92R	
10	Spring case						
13	Plastic separator						
14	Plastic separator						
15	Main spring						
9	Plastic rack	KIT CR 1		KIT CR 1		KIT CR 1	
11	Reel						
12	Plastic ratchet	KIT 93	RC 10	KIT 93 316	RC 10	KIT 93	RC 10
17	Ratchet screw + nut M10		RC 20		RC 20 316		RC 20
23	Ratchet spring		KIT 12		KIT 12 316		KIT 12
16	Nut M6						
18	Screw M8						
19	Nut M8						
20	Screw M10						
21	Nut M10						
22	Screw M8						
24	Swivel joint	4962R	KIT10 NEWR	4960R 1/2"	KIT10 NEW316R	4961R	KIT10R
25	Bushing seal						
26	Horizontal roller						



HR1100HAI

DIMENSIONAL DRAWING



ART.	A	B	C	D	E	F	G	H	I	L	M	N	O	P	Q	R
HR1100HAI	210 mm	235 mm	178 mm	204 mm	13 mm	262 mm	50 mm	50 mm	560 mm	430 mm	145 mm	260 mm	460 mm	120 mm	40 mm	1/2"



HR1100HAI

INCLUDED ACCESSORIES

HOSE REEL	HOSE BUMPER	NIPPLE	SWIVEL JOINT
HR1100HAI		4908	4962R
HR1100HAI316		4908 - 316	4960R1/2"
HR1100HAIFE		4908 - FE	4961R
HR1100HAICA			

OPTIONAL ACCESSORIES

HOSE REEL	HOSE BUMPER	GOOSENECK BEND
HR1100HAI		
HR1100HAI316		
HR1100HAIFE		
HR1100HAICA		

HOSE REEL	NIPPLE
HR1100HAI	
HR1100HAI316	
HR1100HAIFE	
HR1100HAICA	

HOSE	STANDARD FITTINGS	OPTION
		
		
		
		
		
		



ORDER FROM YOUR NEAREST KIOWA BRANCH

KIOWA LTD. SLEAFORD (HEAD OFFICE)

The Reservation, East Road, Sleaford,
Lincolnshire NG34 7BY

T: 01529 416200

E: sales@kiowa.co.uk

KIOWA LTD. ABERDEEN

Unit 1, Blackness Industrial Centre,
Blackness Road, Aberdeen AB12 3LH

T: 01224 890339

E: aberdeensales@kiowa.co.uk

KIOWA LTD. TEESSIDE

6 Wallis Road
Skippers Lan Industrial Estate
Middlesbrough

TS6 6JB

T: 01228 530010

E: carlisesales@kiowa.co.uk

KIOWA LTD. GLASGOW

72 Dykehead Street,
Queenslie Industrial Estate,
Glasgow G33 4AQ

T: 0141 7746200

E: glasgowsales@kiowa.co.uk

KIOWA LTD. NEWCASTLE

Unit 3, Chollerton Drive,
North Tyne Industrial Estate,
Whitley Road, Benton,
Newcastle Upon Tyne NE12 9SZ

T: 0191 2709730

E: newcastlesales@kiowa.co.uk



**NEXT DAY PRIORITY DELIVERY FOR
ORDERS PLACED BEFORE 4.00PM**

PLEASE STATE PRIORITY SERVICE REQUIRED WHEN ORDERING.